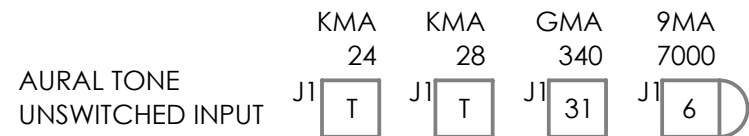


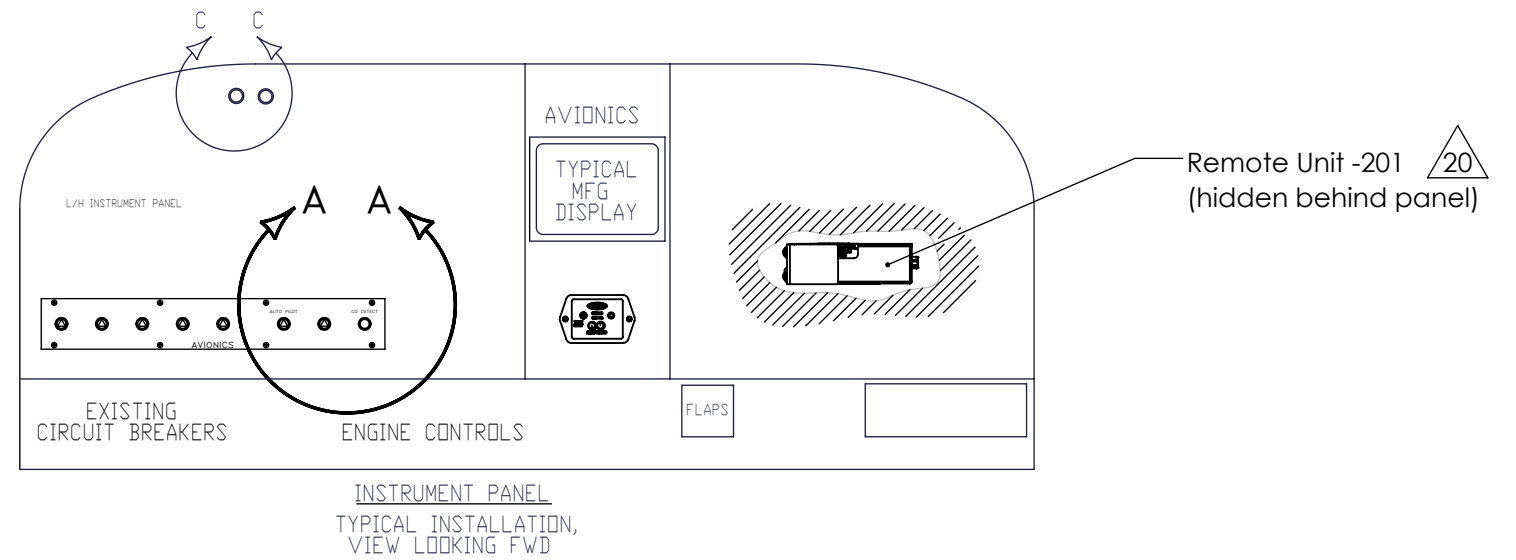
REV.	DESCRIPTION	DATE
A	Initial Release	6/6/2023

GENERAL NOTES:

1. EXISTING EQUIPMENT
2. PERMISSIBLE TO TRIM PARTS CREATED BY THIS DRAWING ON INSTALLATION AS REQUIRED
3. TOUCH UP ALL BARE ALUMINUM SURFACESD WITH ALODINE PER MIL-C-5541 CLASS 3
4. PARENTHETICAL ENTITIES ARE FOR REFERENCE ONLY.
5. LOCATION CIRCUIT BREAKER IN THE SAME GNERAL AREA WITH EXISTING IRCUIT BREAKERS. LABEL AS SHOWN USING STANDARD ENGRAVING, SILKSCREEN, OR OTHER TECHNIQUES. LETTERING TO BE THE SAME HEGHT AS EXISTING C/B LETTERING.
6. -----DENOTES EXISTING EQUIPMENT
7. GROUND TWISTED-PAIR POWER RETURN WIRE NEAR CIRCUIT BREAKER PANEL. TWISTED-PAIR TO BE 6 TURNS PER FOOT OR GREATER.
8. TIE INTO EXISTONMG BUS BAR NEAR LOCATION OF NEW CIRCUIT BREAKER. IF A JUMPER WIRE IS REQUIRED, USE 20 GAUGE 20 GAUGE MIL-W-22759/XX TYPE.
9. BEST COMMERCIAL EQUIVALENT MAY BE SUBSTITUTED FOR THIS PART.
10. THE INSTALLATION OF WIRING TO BE PERFORMED IN ACCORDANCE WITH AZ 43.13-1B, 2A ACCEPTANCE METHODS, TECHNIQUES, AND PRACTIVES - AIRCRAFT ALTERCATIONS. CHAPTER 11. ALL WIRE TO BE MIL-W-22759/16 OR EQUIVALENT.
11. LETTERING TO BE 0.10 HIGH MINIMUM, WHITE, HELVETICA, LOCATED APROXIMATELY AS SHOWN. USE STANDARD SILKSCREENING, UNGRAVING, OR PLACARD TECHNIQUES.
12. OPTIONAL MOUNTING SCREW / MOUNTING HOLE
13. SEE OWNERS MANUAL FOR INSTALLATION CRITERIA.
14. SEE MFG INSTALLATION MANUAL FOR RS-232 HOOKUP (OPTIONAL)
15. COMMON GROUND TO MFG MFD DISPLAY IF CONNECTED TO RS232
16. MFD CONTROLLED BY RS232 REMOTE TEST/RESET
17. LIGHT LOCATION IN THE AREA OF PILOTS VIEW. CAN BE INTEGRATED TO MASTER CAUTION PANEL LIGHTS.
18. THE FOLLOWING IS A GUIDE FOR UNSWITCHED AUDIO PINOUTS. PINOUTS MUST BE VERIFIED WITH LATEST MANUFACTURING DRAWINGS.



19. TYPICAL INPUTS/OUTPUTS FOR GARMIN/JPI/EI/AFS AND OTHER OEM'S. SEE MANUAL FOR PINOUT
20. INSTALL REMOTE UNIT BEHIND A/C PANEL, WHERE THERE IS STILL AIR AND FACEPLATE IS NOT NEAR METAL FOR GOOD BLUETOOTH / WIFI SIGNAL.



© COPYRIGHT GUARDIAN AVIONICS  
THE INFORMATION IN THIS DRAWING IS CONFIDENTIAL AND IS THE INTELLECTUAL PROPERTY OF GUARDIAN AVIONICS. REPRODUCTION IN WHOLE OR IN PART WITHOUT WRITTEN PERMISSION OF GUARDIAN AVIONICS IS PROHIBITED.

**DO NOT SCALE DRAWING**  
TOLERANCES UNLESS OTHERWISE SPECIFIED:  
METRIC IMPERIAL ANGLES  
X ± 1.00mm .X ± .05" ± 1°  
.X ± .3mm .XX ± .01"  
.XX ± .1mm .XXX ± .005"

PROJECT:  
454N Assembly

SCALE: 1:1  
DWG # 453 / 454N-001

DRAWING NAME:  
Aero 453-454N Installation Drawing

REVISION  
A

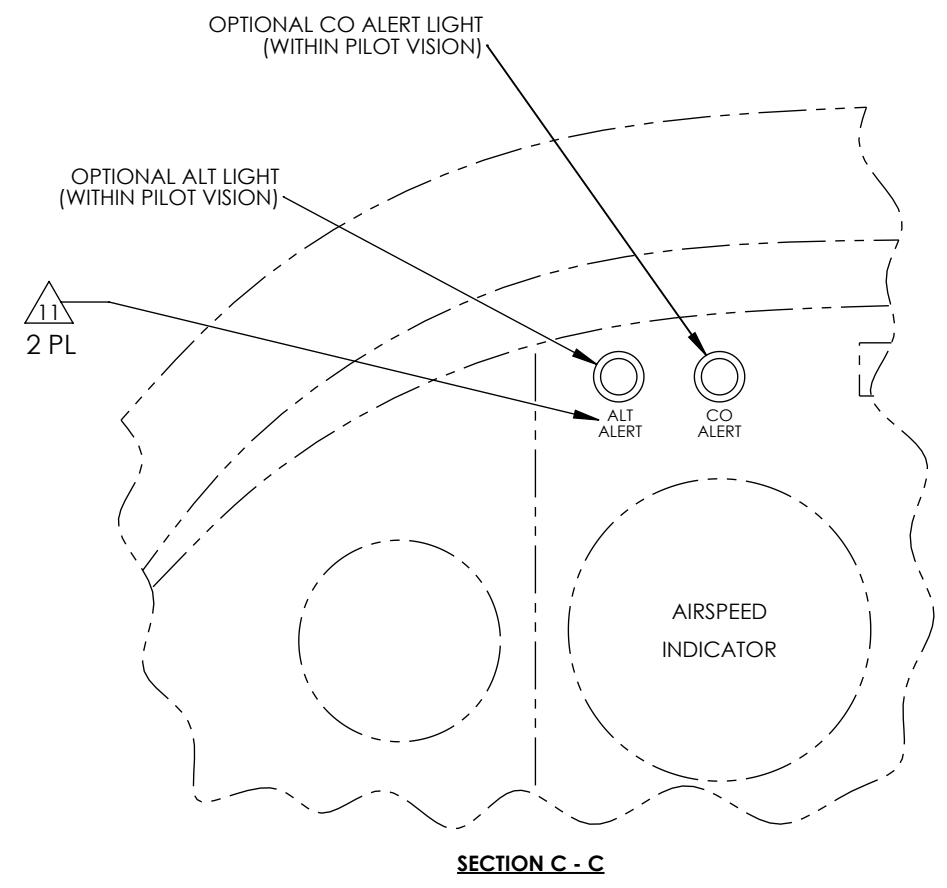
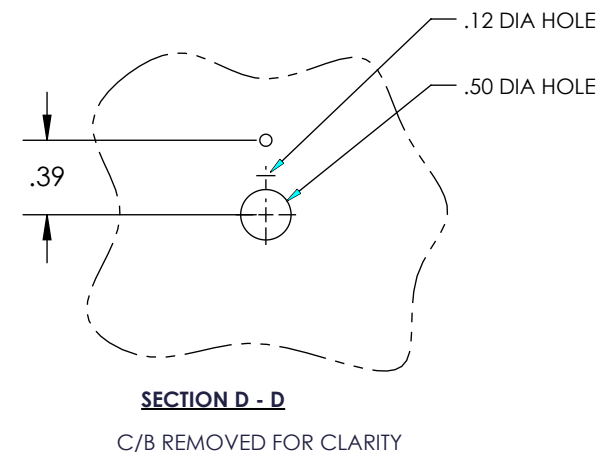
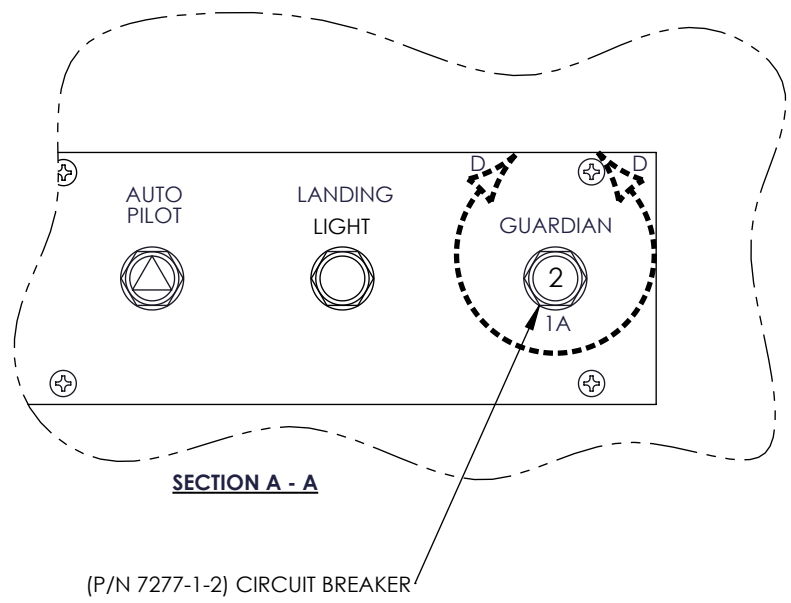
PRINT DATE  
6/8/2023

SHEET:  
1 of 4

8 7 6 5 4 3 2 1

D  
C  
B  
A

D  
C  
B  
A



© COPYRIGHT GUARDIAN AVIONICS  
THE INFORMATION IN THIS DRAWING IS CONFIDENTIAL AND IS THE INTELLECTUAL PROPERTY OF GUARDIAN AVIONICS. REPRODUCTION IN WHOLE OR IN PART WITHOUT WRITTEN PERMISSION OF GUARDIAN AVIONICS IS PROHIBITED.

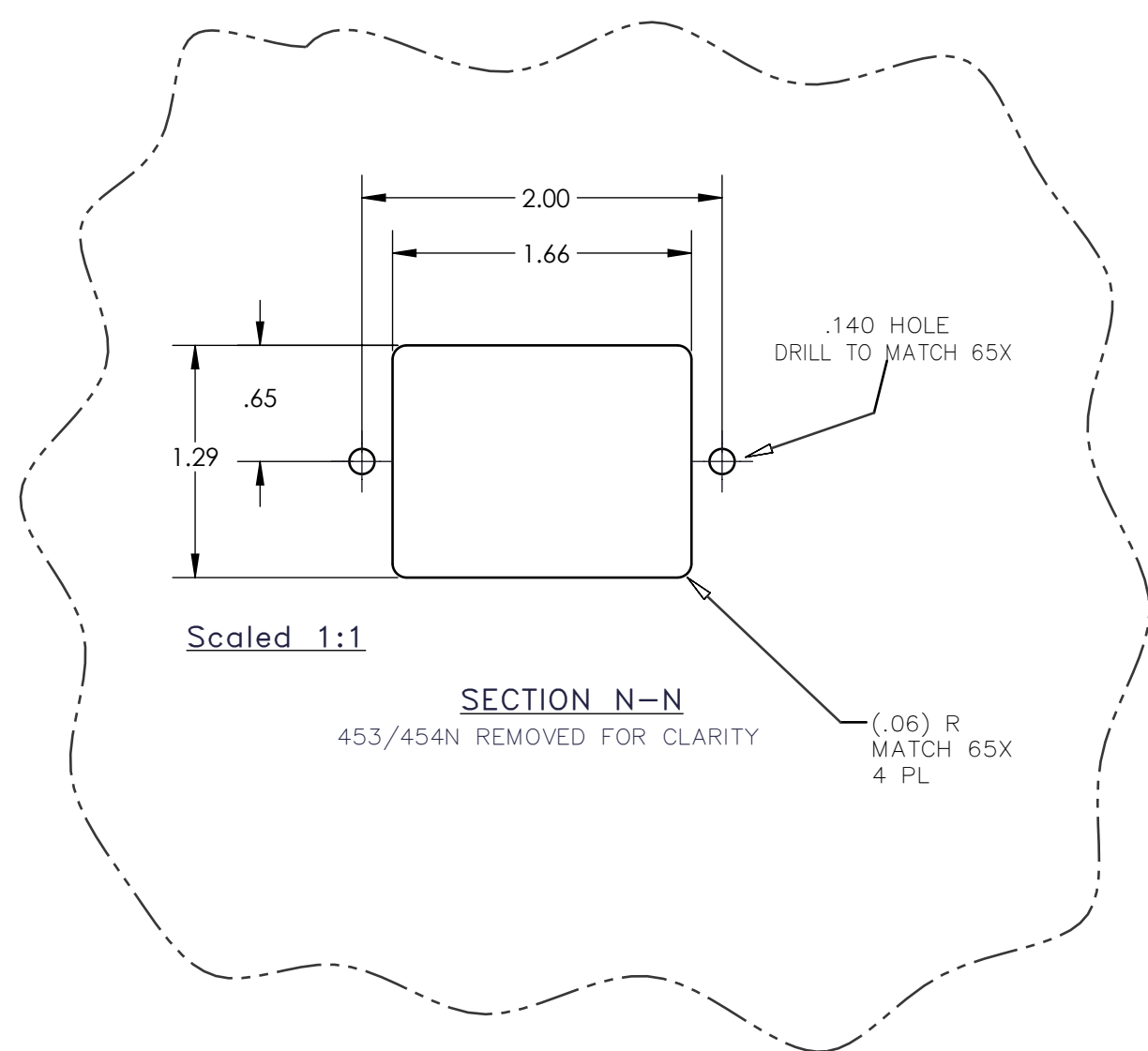
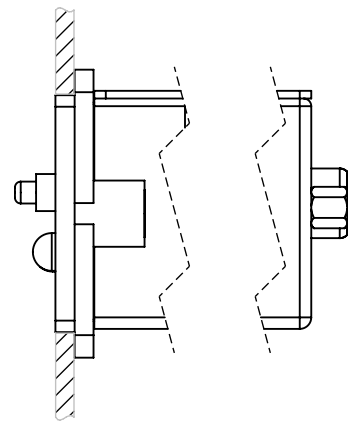
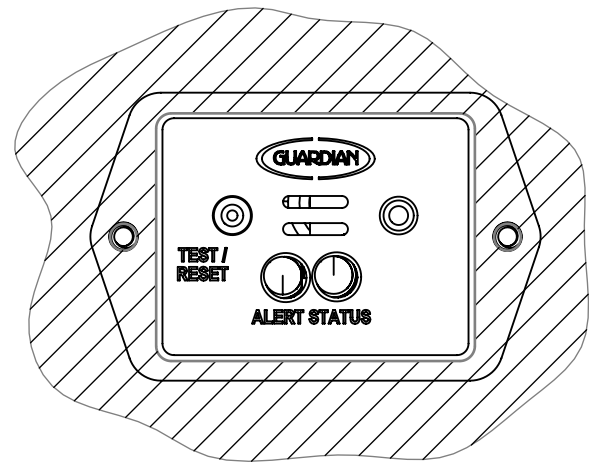
**DO NOT SCALE DRAWING**  
TOLERANCES UNLESS OTHERWISE SPECIFIED:  
METRIC IMPERIAL ANGLES  
X ± 1.00mm .X ± .05" ± 1°  
.X ± .3mm .XX ± .01"  
.XX ± .1mm .XXX ± .005"

PROJECT: 454N Assembly  
SCALE: 1:1  
DWG #: 453 / 454N-001

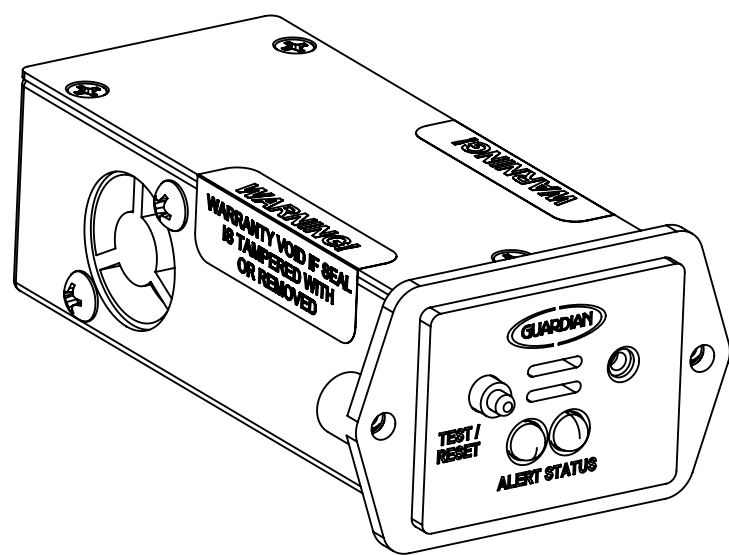
DRAWING NAME: Aero 453-454N Installation Drawing  
REVISION: A

PRINT DATE: 6/8/2023  
SHEET: 2 of 4

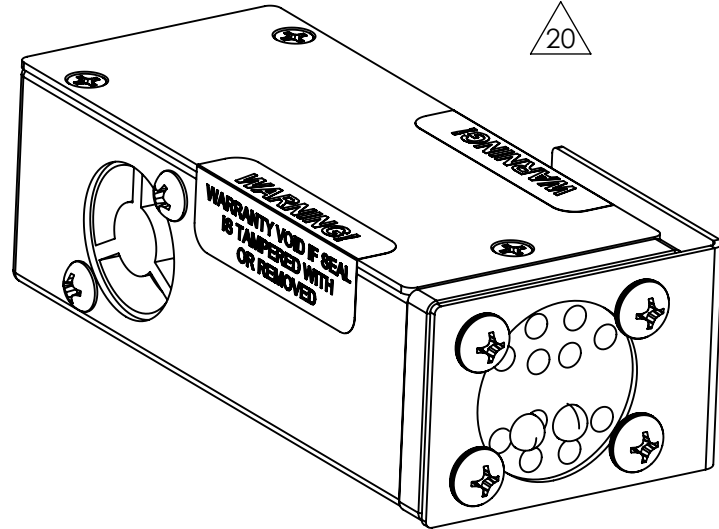
8 7 6 5 4 3 2 1



453/454N Panel Mount (101)



453/454N Remote (201)



© COPYRIGHT GUARDIAN AVIONICS  
 THE INFORMATION IN THIS DRAWING IS CONFIDENTIAL  
 AND IS THE INTELLECTUAL PROPERTY OF GUARDIAN  
 AVIONICS. REPRODUCTION IN WHOLE OR IN PART  
 WITHOUT WRITTEN PERMISSION OF GUARDIAN  
 AVIONICS IS PROHIBITED.

**DO NOT SCALE DRAWING**  
 TOLERANCES UNLESS  
 OTHERWISE SPECIFIED:  
 METRIC IMPERIAL ANGLES  
 X ± 1.00mm .X ± .05"  
 .X ± .3mm .XX ± .01"  
 .XX ± .1mm .XXX ± .005" ± 1°

PROJECT:  
**454N Assembly**

SCALE: 1:1 DWG # 453 / 454N-001

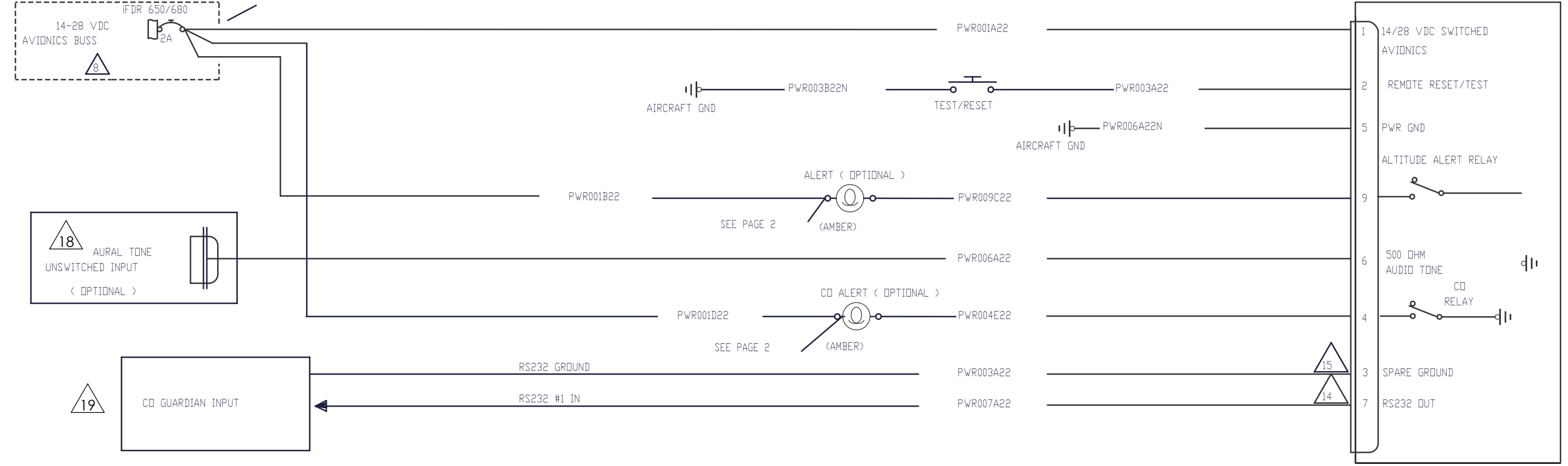
DRAWING NAME:  
**Aero 453-454N Installation Drawing**

REVISION  
**A**

PRINT DATE  
**6/8/2023**

SHEET:  
**3 of 4**

CIRCUIT BREAKER PANEL



## 453/454N TYPICAL INPUT AND OUTPUT SETUP



© COPYRIGHT GUARDIAN AVIONICS  
 THE INFORMATION IN THIS DRAWING IS CONFIDENTIAL  
 AND IS THE INTELLECTUAL PROPERTY OF GUARDIAN  
 AVIONICS. REPRODUCTION IN WHOLE OR IN PART  
 WITHOUT WRITTEN PERMISSION OF GUARDIAN  
 AVIONICS IS PROHIBITED.

**DO NOT SCALE DRAWING**  
 TOLERANCES UNLESS  
 OTHERWISE SPECIFIED:  
 METRIC IMPERIAL ANGLES  
 X ± 1.00mm .X ± .05" ± 1°  
 .X ± .3mm .XX ± .01"  
 .XX ± .1mm .XXX ± .005"

PROJECT:  
**454N Assembly**

SCALE: 1:1  
 DWG # 453 / 454N-001

DRAWING NAME:  
**Aero 453-454N Installation Drawing**

REVISION  
**A**

PRINT DATE  
**6/8/2023**

SHEET:  
**4 of 4**